



Hero Camper

Ready for new adventures





Seeking Adventures

Pull the plug from the busy everyday life and go on an off-grid adventure with the Hero Camper. Seize the opportunity to explore unknown places.



HERO CAMPER - STANDARD EQUIPMENT

- ▶ Stainless steel kitchen countertop with integrated sink and faucet
- ▶ Compressor cooling box, 22 L, 12V/230V
- ▶ LED lights in the kitchen
- ▶ Freshwater tank, 30L
- ▶ Soft-touch control panel with battery and water indicator
- ▶ Converter: IDDX 12V 30Ah DC/DC with built-in MPPT
- ▶ Charges from car
- ▶ Patented HeroCamper LED taillights
- ▶ 125W mounted/integrated flexible solar panel
- ▶ Sockets: 5 x 230V, 2 x 5V USB, 2 x 12V
- ▶ Dimmable LED lights
- ▶ Bluetooth soundbar
- ▶ Extra stand for front chassis
- ▶ Front mounted gas-/dry storage box 57.5 L
- ▶ Off road axle with shock absorber protection
- ▶ Mounted 17" Ranger spare wheel
- ▶ 17" Ranger alloy rims with off road tires
- ▶ Aluminum diamond off road fender

AVAILABLE IN 3 PACKAGES

LIVINGSTONE

- ▶ Lithium battery 12V 30AH
- ▶ Thule 260 cm awning

Color options: Light Grey

COLUMBUS

- ▶ Lithium battery 12V 30AH
- ▶ Thule 300 cm awning
- ▶ Thule side and front screen
- ▶ Hero privacy curtain
- ▶ Hero kitchen tent

Color options: Light Grey, Dark Grey, Hunter Green

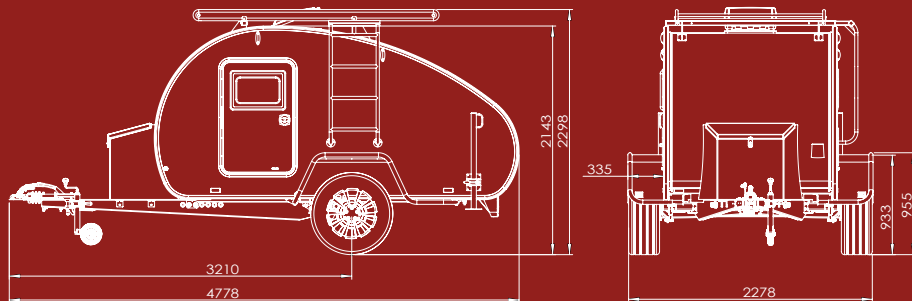
ARMSTRONG

- ▶ Power package containing 12V 100Ah battery & 12V40A charger
- ▶ Thule 300 cm awning
- ▶ Thule side and front screen
- ▶ Hero privacy curtain
- ▶ Hero kitchen tent
- ▶ Diesel air heater incl. control display
- ▶ Fender box set
- ▶ Smart bunk

Color options: Light Grey, Dark Grey, Hunter Green

HERO CAMPER SPECIFICATIONS

| | |
|----------------------------|--|
| Height | 232 cm |
| Length | 478 cm |
| Width | 230 cm |
| Net weight from | 827 kg |
| Total weight | 900 - 1,200 kg |
| Upgrade weight to 1,300 kg | Optional |
| Tires | 265/65 R17 off road |
| Fresh Water tank | 30L |
| Roof window | Included |
| Fully lockable | Yes |
| Power | 5V/12V/230V (for 230V landline required) |
| Roof rack | Included |
| Heating | Optional |
| Solar | Included |
| Battery capacity | 30 Ah Lithium |



HEROCAMPER.COM

HERO ADD-ONS

SPACIOUSNESS

Hero Skybox Galileo
Smart Bunk
Fenderboxes

HEAT OPTIONS

230/1500W Electrical Heater
w/Bluetooth
Diesel Heater
Portable Air Conditioner

POWER SOLUTIONS

Battery packages 100Ah - 200Ah
Inverter packages 1500W - 2000W
Portable solar panels 120W - 240W

COMFORT

Gas hob, portable
Gas hob, integrated
Waterport high pressure shower
tank 30L
Mattress Deluxe
Mattress pad Deluxe

FOLLOW US



YOUR LOCAL DEALER